

V-Mount Macro Lens

Apo-Componon 4.0/60-0016

Unlike conventional camera lenses where the optical performance decreases as the magnification increases, Schneider-Kreuznach macro lenses have been developed and corrected exclusively for the close-up range of 1:20 to 1:1. Due to its mechanical stability and the robust V-mount interface enabling simpler adjustment of the best azimuth position, the system is exceptionally well suited to demanding, continuous industrial use.



Apo-Componon 4.0/60

Key Features

- Excellent optical imaging performance when using large sensors
- Vibration-insensitive for stable optical performance
- Industry-compatible V-mount interface
- Lockable distance and aperture settings
- Continuous aperture adjustment, guaranteed long-term stability
- 100% quality control guarantees reliability and constant quality
- Low maintenance requirements, therefore high system reliability

Applications

- Machine Vision and other imaging applications
- PCB inspection
- LCD inspection
- OLED inspection
- Solar inspection

Technical Specifications

F-number	4.0
Focal length	59.9 mm
Image circle	60 mm
Magnification	1:20 to 1:1, optimized for -0.17
Transmission	400 - 700 nm
Interface	V38-Mount
Weight	120 gr.
Filter tread	M37 x 0.75
Code no.	14802

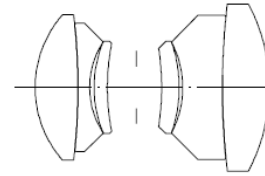
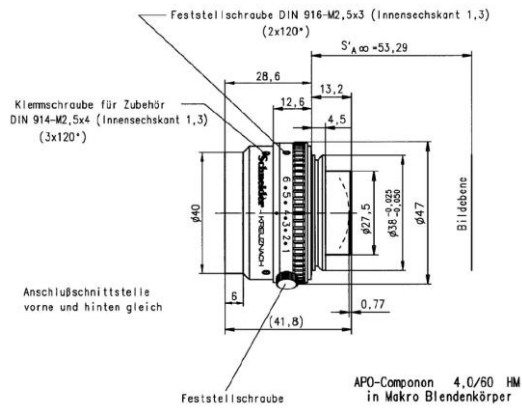
Contact

Jos. Schneider Optische Werke GmbH
 Ringstraße 132
 55543 Bad Kreuznach
 Germany
 Phone +49 671 601-205
 Fax +49 671 601-286
 www.schneiderkreuznach.com
 industrie@schneiderkreuznach.com

Schneider Optical Technologies Co., Ltd.
 Rm. A505 Yingdali Science Park, Hongmian Rd.,
 Futian Free Trade Zone, Shenzhen 518038,
 P.R. China
 Phone: +86 755 88 32 11 70
 Fax: +86 755 88 32 11 75
 www.schneiderkreuznach.com
 info@schneider-asiapacific.com

Schneider Optics Inc.
 285 Oser Ave.
 Hauppauge, NY 11788
 USA
 Phone +1 631 761-5000
 Fax +1 631 761-5090
 www.schneideroptics.com/industrial
 industrial@schneideroptics.com

Apo-Componon 4.0/60



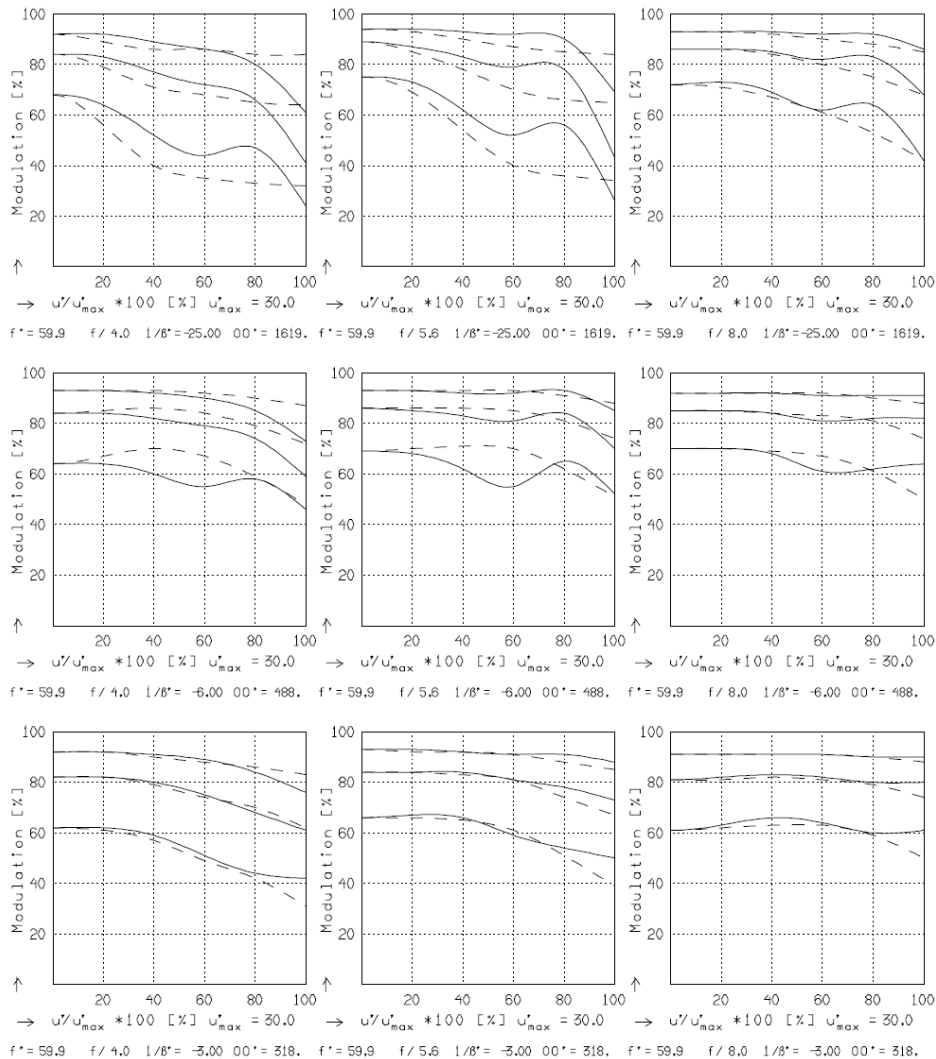
APO-COMPONON 4/60

f^* = 59.9 mm	β_p^* = 0.970
s_F = -47.1 mm	s_{EP} = 14.6 mm
s_F^* = 40.9 mm	s_{AP}^* = -17.3 mm
HH^* = -1.9 mm	Σd = 30.0 mm

APO-COMPONON 4/60

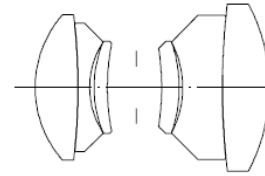
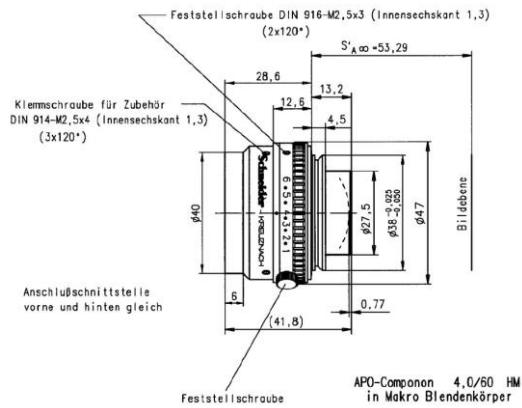
MODULATION with reference to the relative image height

Wavelength λ [nm] :	546	706	644	480	436	405
Spectral weighting [%] :	27.4	12.4	24.1	18.3	12.6	5.2
Spatial frequency R [1/mm] :	10	20	40			
Format [mm X mm] :	42.0	X	42.0			
Diagonal $2u'$ [mm] :	60.0					



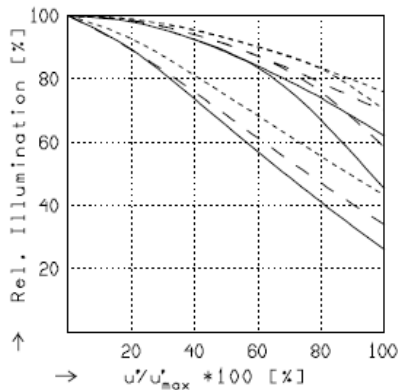
Focusing : MTF_{max} at $f / 4.0$, $R = 20$ 1/mm. $u'/u'_{max} = 0$

Apo-Componon 4.0/60



APO-COMPONON 4/60

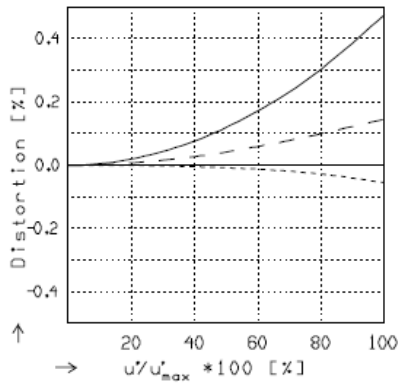
f^* = 59.9 mm	β_p^* = 0.970
s_F = -47.1 mm	s_{EP} = 14.6 mm
s_F^* = 40.9 mm	s_{AP}^* = -17.3 mm
HH^* = -1.9 mm	Σd = 30.0 mm



RELATIVE ILLUMINATION

The relative illumination is shown for the given focal distances or magnifications.

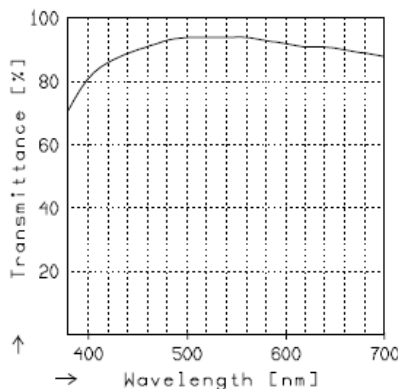
	$f / 4.0$	$f / 5.6$	$f / 8.0$
— $\beta^* = -0.0400$	$u'_{max} = 30.1$	$00^* = 1619.$	
- - $\beta^* = -0.1667$	$u'_{max} = 30.0$	$00^* = 488.$	
... $\beta^* = -0.3333$	$u'_{max} = 30.0$	$00^* = 318.$	



DISTORTION

Distortion is shown for the given focal distances or magnifications. Positive values indicate pincushion distortion and negative values barrel distortion.

— $\beta^* = -0.0400$	$u'_{max} = 30.0$	$00^* = 1619.$
- - $\beta^* = -0.1667$	$u'_{max} = 30.0$	$00^* = 488.$
... $\beta^* = -0.3333$	$u'_{max} = 30.0$	$00^* = 318.$



TRANSMITTANCE

Relative spectral transmittance is shown with reference to wavelength.