

# 5 Mega Pixel Ruggedized Lens

## Apo-Xenoplan 1.8/35 - Ruggedized

The 5 megapixel high-performance lenses of the C-Mount compact series are extremely robust and insensitive to rough ambient conditions, with the result that the lenses retain their high optical imaging performance in industrial environments. The secure locking of the iris and focus settings and the broadband coating of 400 – 1000 nm is standard for all lenses.



Apo-Xenoplan 1.8/35

### Key Features

- Highest optical imaging performance even with smallest pixel sizes from 2.5 µm
- Stabilized mechanism
- Excellent MTF across the entire sensor size
- Broadband coating (400 - 1000 nm)
- Compact and low weight
- Vibration insensitivity for stable imaging performance, secured ring
- Focus and iris setting lockable

### Applications

- 3D measurement
- Machine Vision and other imaging applications
- Traffic
- Medical

### Technical Specifications

F-number	1.8
Focal length	35.2 mm
Image circle	11 mm
Transmission	400 - 1000 nm
Interface	C-Mount
Weight	150 gr.
Option	Optical filter

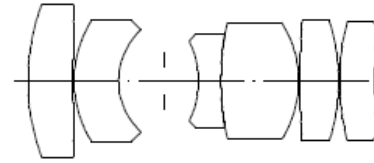
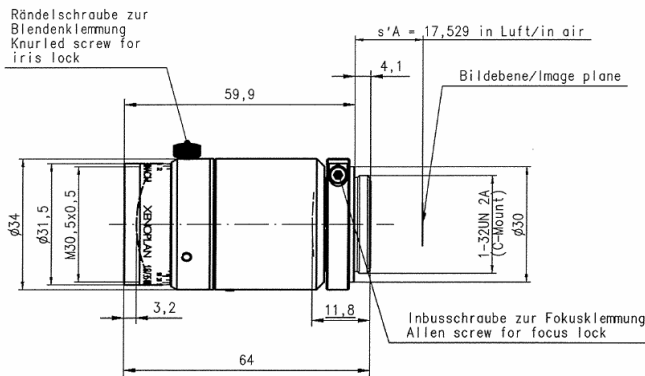
### Contact

Jos. Schneider Optische Werke GmbH  
 Ringstraße 132  
 55543 Bad Kreuznach  
 Germany  
 Phone +49 671 601-205  
 Fax +49 671 601-286  
[www.schneiderkreuznach.com](http://www.schneiderkreuznach.com)  
[industrie@schneiderkreuznach.com](mailto:industrie@schneiderkreuznach.com)

Schneider Optical Technologies Co., Ltd.  
 Rm. A505 Yingdali Science Park, Hongmian Rd.,  
 Futian Free Trade Zone, Shenzhen 518038,  
 P.R. China  
 Phone: +86 755 88 32 11 70  
 Fax: +86 755 88 32 11 75  
[www.schneiderkreuznach.com](http://www.schneiderkreuznach.com)  
[info@schneider-asiapacific.com](mailto:info@schneider-asiapacific.com)

Schneider Optics Inc.  
 285 Oser Ave.  
 Hauppauge, NY 11788  
 USA  
 Phone +1 631 761-5000  
 Fax +1 631 761-5090  
[www.schneideroptics.com/industrial](http://www.schneideroptics.com/industrial)  
[industrial@schneideroptics.com](mailto:industrial@schneideroptics.com)

# Apo-Xenoplan 1.8/35 Ruggedized Lens



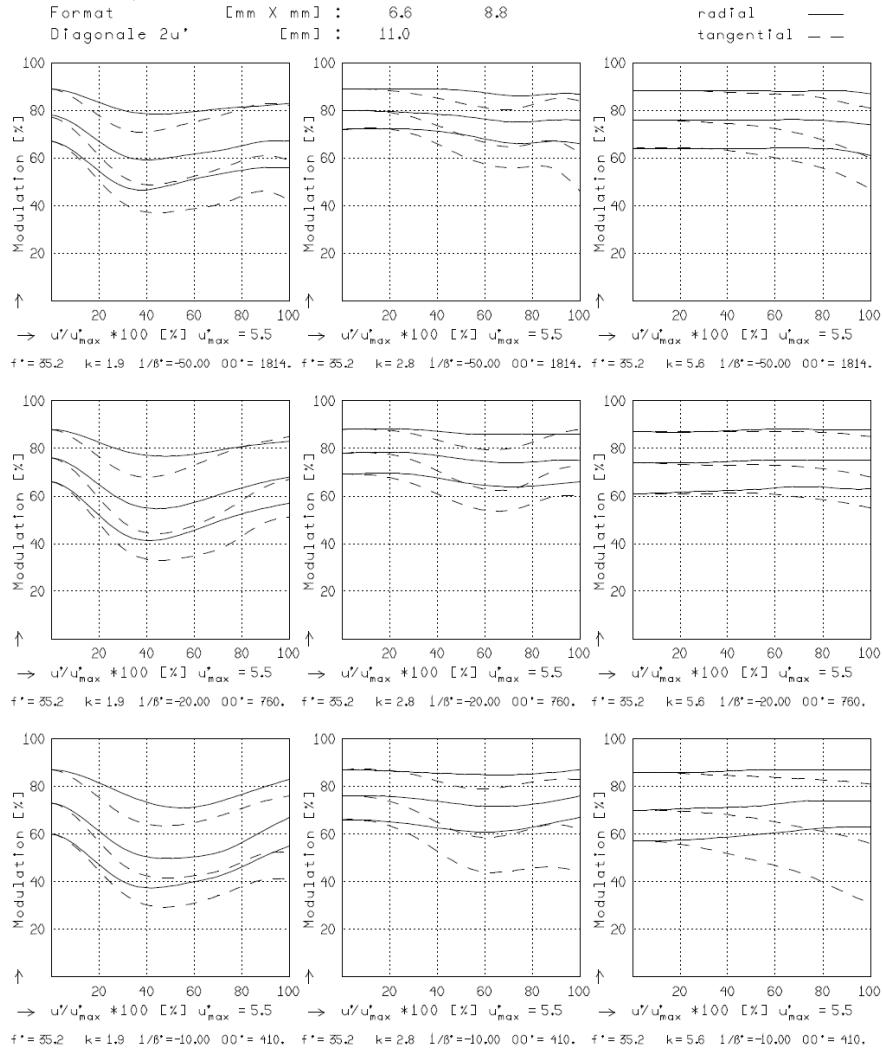
## XENOPLAN 1.8/35

$f^*$	= 35.2 mm	$\beta_p^*$	= 6.607
$s_F$	= 19.3 mm	$s_{EP}$	= 24.6 mm
$s_{F^*}$	= 25.2 mm	$s_{A^*P}$	= -207.1 mm
$HH^*$	= -15.4 mm	$\Sigma d$	= 49.0 mm

### XENOPLAN 1.8/35

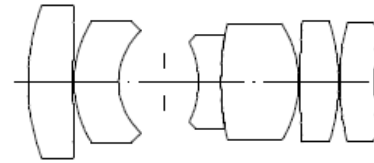
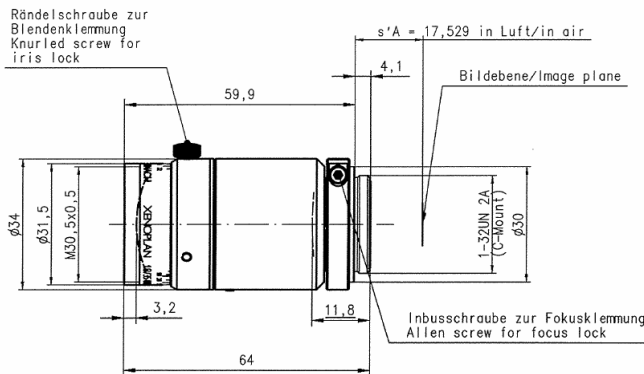
MODULATION als Funktion der relativen Bildgröße

Wellenlänge $\lambda$ [nm]:	555	655	605	505	455	405
Spektrale Gewichtung [%]:	19.6	23.7	22.2	15.7	12.1	6.7
Ortsfrequenz R [1/mm]:	25	50	75			
Format [mm X mm]:	6.6	8.8				
Diagonale $2u'$ [mm]:	11.0					



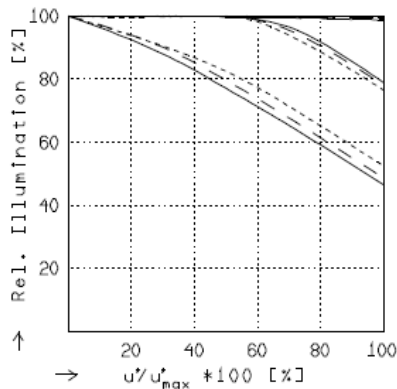
Fokussierung MTF<sub>max</sub> bei  $k = 1.8$  ,  $R = 80$  1/mm.  $u'/u'_{max} = 0$

# Apo-Xenoplan 1.8/35 Ruggedized Lens



## XENOPLAN 1.8/35

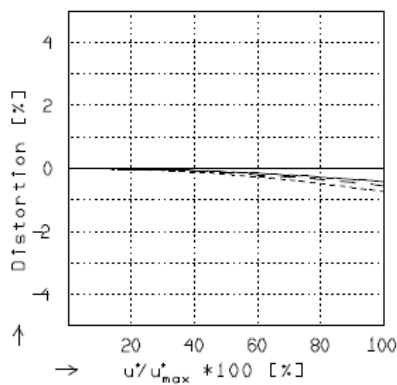
$f^*$	= 35,2 mm	$\beta_p^*$	= 6.607
$s_F$	= 19,3 mm	$s_{EP}$	= 24,6 mm
$s_{F^*}$	= 25,2 mm	$s_{AP}^*$	= -207,1 mm
HH*	= -15,4 mm	$\Sigma d$	= 49,0 mm



## RELATIVE ILLUMINATION

The relative illumination is shown for the given focal distances or magnifications.

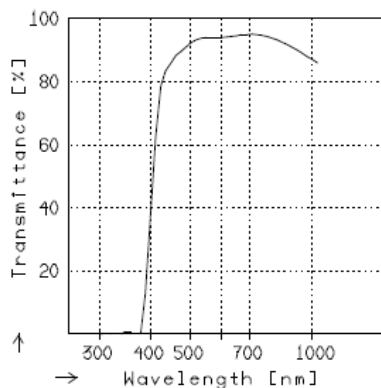
	$f / 1.9$	$f / 2.8$	$f / 5.6$
—	$\beta^* = -0.0200$	$u'_{max} = 5.5$	$00' = 1814.$
- -	$\beta^* = -0.0500$	$u'_{max} = 5.5$	$00' = 760.$
----	$\beta^* = -0.1000$	$u'_{max} = 5.5$	$00' = 410.$



## DISTORTION

Distortion is shown for the given focal distances or magnifications. Positive values indicate pincushion distortion and negative values barrel distortion.

—	$\beta^* = -0.0200$	$u'_{max} = 5.5$	$00' = 1814.$
- -	$\beta^* = -0.0500$	$u'_{max} = 5.5$	$00' = 760.$
----	$\beta^* = -0.1000$	$u'_{max} = 5.5$	$00' = 410.$



## TRANSMITTANCE

Relative spectral transmittance is shown with reference to wavelength.