

5 Mega Pixel lens

Apo-Xenoplan 1.8/35

The 5 megapixel high-performance lenses of the C-Mount compact series are extremely robust and insensitive to rough ambient conditions, with the result that the lenses retain their high optical imaging performance in industrial environments. The secure locking of the iris and focus settings and the broadband coating of 400 – 1000 nm is standard for all lenses.



Apo-Xenoplan 1.8/35

Key Features

- Highest optical imaging performance even with smallest pixel sizes from 2.5 µm
- Excellent MTF across the entire sensor size
- Broadband coating (400 - 1000 nm)
- Compact and low weight
- Vibration insensitivity for stable imaging performance
- Focus and iris setting lockable

Applications

- Machine Vision and other imaging applications
- 3D measurement
- Traffic
- Medical

Technical Specifications

F-number	1.8
Focal length	35.2 mm
Image circle	11 mm
Transmission	400 - 1000 nm
Interface	C-Mount
Weight	150 gr.
Option	Optical filter

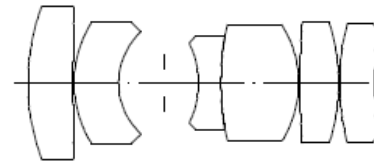
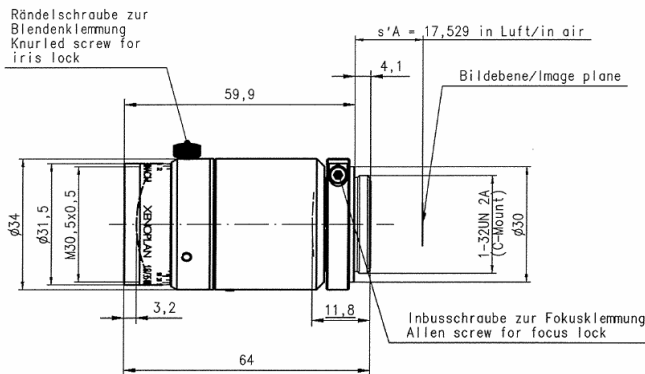
Contact

Jos. Schneider Optische Werke GmbH
 Ringstraße 132
 55543 Bad Kreuznach
 Germany
 Phone +49 671 601-205
 Fax +49 671 601-286
www.schneiderkreuznach.com
industrie@schneiderkreuznach.com

Schneider Optical Technologies Co., Ltd.
 Rm. A505 Yingdali Science Park, Hongmian Rd.,
 Futian Free Trade Zone, Shenzhen 518038,
 P.R. China
 Phone: +86 755 88 32 11 70
 Fax: +86 755 88 32 11 75
www.schneiderkreuznach.com
info@schneider-asiapacific.com

Schneider Optics Inc.
 285 Oser Ave.
 Hauppauge, NY 11788
 USA
 Phone +1 631 761-5000
 Fax +1 631 761-5090
www.schneideroptics.com/industrial
industrial@schneideroptics.com

Apo-Xenoplan 1.8/35



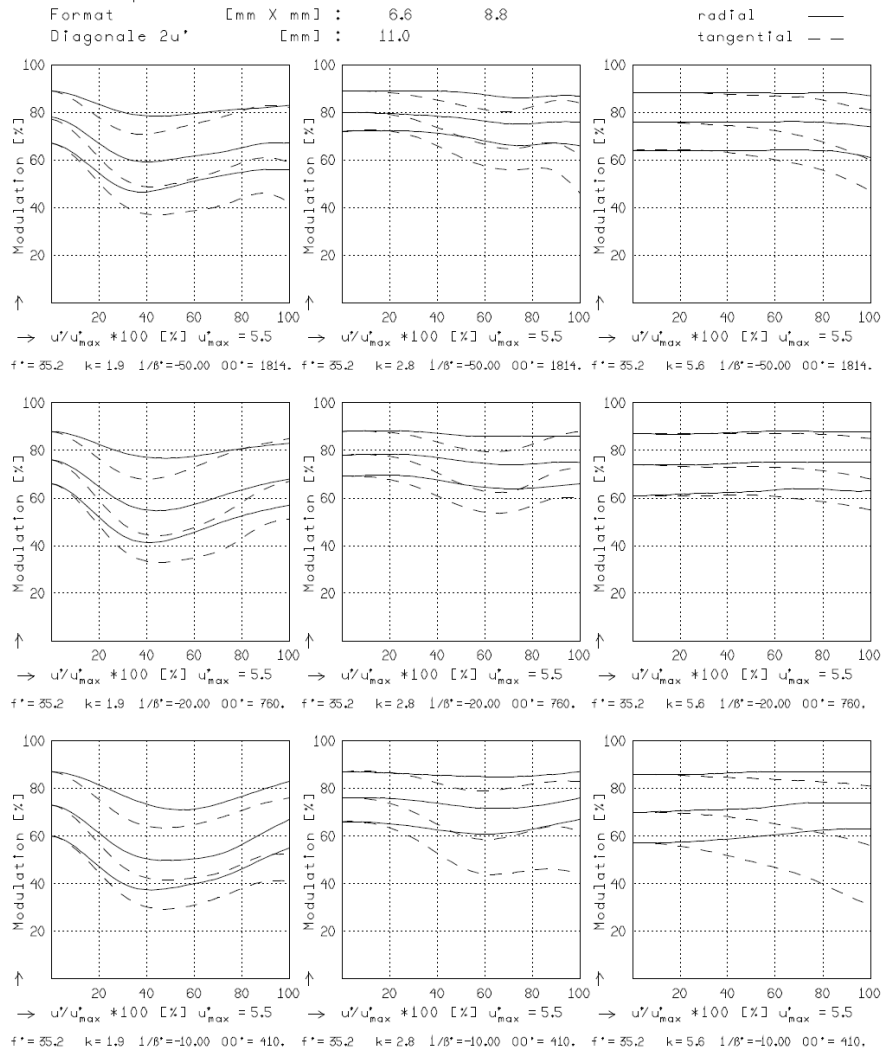
XENOPLAN 1.8/35

f^*	= 35.2 mm	β_p^*	= 6.607
s_F	= 19.3 mm	s_{EP}	= 24.6 mm
s_{F^*}	= 25.2 mm	s_{A^*P}	= -207.1 mm
HH^*	= -15.4 mm	Σd	= 49.0 mm

XENOPLAN 1.8/35

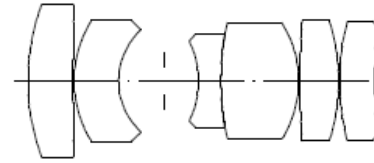
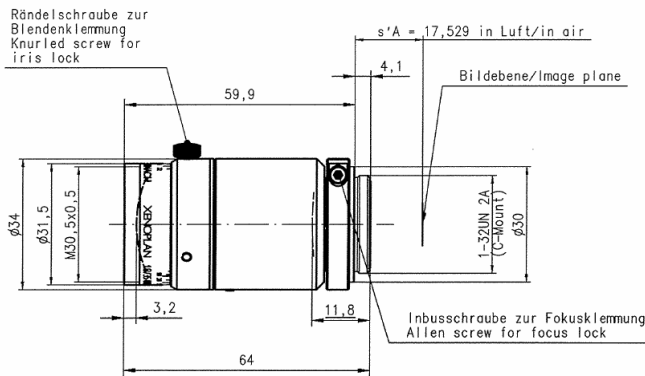
MODULATION als Funktion der relativen Bildgröße

Wellenlänge λ [nm]:	555	655	605	505	455	405
Spektrale Gewichtung [%]:	19.6	23.7	22.2	15.7	12.1	6.7
Ortsfrequenz R [1/mm]:	25	50	75			
Format [mm X mm]:	6.6	8.8				
Diagonale $2u^*$ [mm]:	11.0					



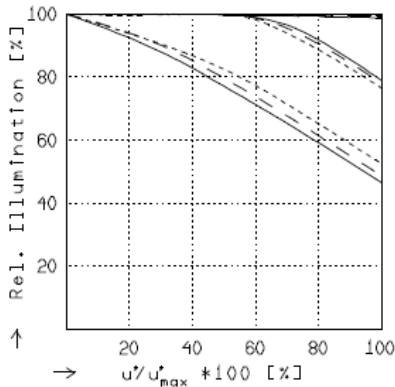
Fokussierung MTF_{max} bei $k = 1.8$, $R = 80$ 1/mm, $u'/u'_{max} = 0$

Apo-Xenoplan 1.8/35



XENOPLAN 1.8/35

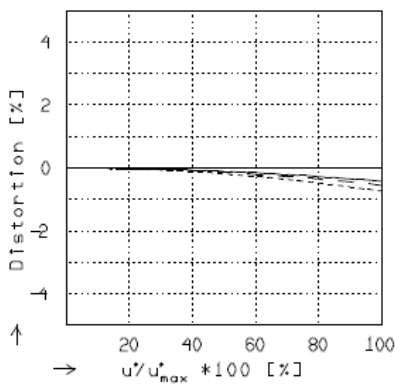
f^*	= 35.2 mm	β_p^*	= 6.607
s_F	= 19.3 mm	s_{EP}	= 24.6 mm
s_{F^*}	= 25.2 mm	s_{AP}	= -207.1 mm
HH^*	= -15.4 mm	Σd	= 49.0 mm



RELATIVE ILLUMINATION

The relative illumination is shown for the given focal distances or magnifications.

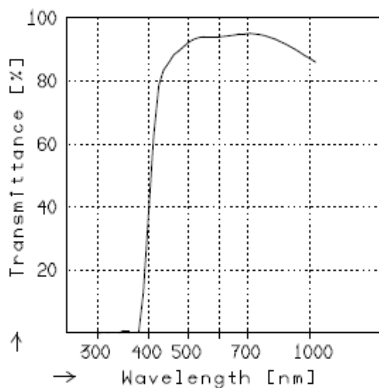
	$f / 1.9$	$f / 2.8$	$f / 5.6$
—	$\beta^* = -0.0200$	$u'_{max} = 5.5$	$00' = 1814.$
- -	$\beta^* = -0.0500$	$u'_{max} = 5.5$	$00' = 760.$
- · -	$\beta^* = -0.1000$	$u'_{max} = 5.5$	$00' = 410.$



DISTORTION

Distortion is shown for the given focal distances or magnifications. Positive values indicate pincushion distortion and negative values barrel distortion.

—	$\beta^* = -0.0200$	$u'_{max} = 5.5$	$00' = 1814.$
- -	$\beta^* = -0.0500$	$u'_{max} = 5.5$	$00' = 760.$
- · -	$\beta^* = -0.1000$	$u'_{max} = 5.5$	$00' = 410.$



TRANSMITTANCE

Relative spectral transmittance is shown with reference to wavelength.