

# Mega Pixel lens for image circle 16 mm

## Cinegon 1.9/10 --0901

In accordance with the sensitivity of modern 1" CCD and CMOS sensors the megapixel lenses are broadband coated and can be used in the visible range 400 – 700 nm or the near infrared range 700 – 1000 nm. Even under production and / or extreme conditions, the robust mechanical design with lockable focus and iris setting mechanism guarantees reliable continuous use in which the set optical parameters remain in place.



Cinegon 1.9/10

### Key Features

- High-resolution optics
- Highest optical imaging performance even with smallest pixel sizes
- Broadband coated (400 - 1000 nm)
- Compact and low weight
- Vibration insensitivity for stable imaging performance
- Focus and iris setting lockable

### Applications

- Machine Vision and other imaging applications
- 3D measurement
- Traffic
- Medical
- Robot vision
- Food processing

### Technical Specifications

F-number	1.9
Focal length	10.4 mm
Image circle	16 mm
Transmission	400 - 1000 nm
Interface	C-Mount
Weight	136 gr.
Option	Adapter for optical filter
Order No.	1001978

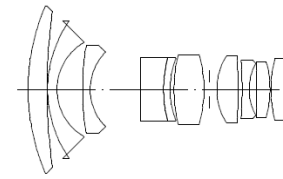
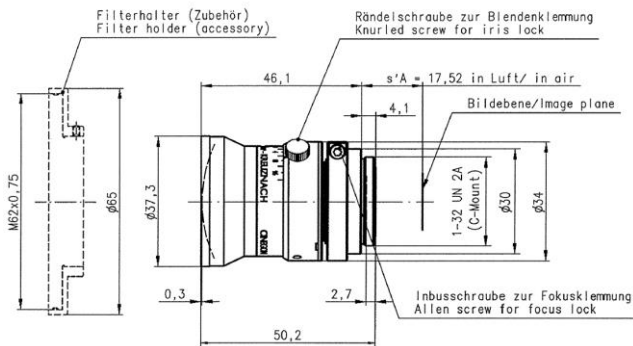
### Contact

Jos. Schneider Optische Werke GmbH  
 Ringstraße 132  
 55543 Bad Kreuznach  
 Germany  
 Phone +49 671 601-205  
 Fax +49 671 601-286  
[www.schneiderkreuznach.com](http://www.schneiderkreuznach.com)  
[industrie@schneiderkreuznach.com](mailto:industrie@schneiderkreuznach.com)

Schneider Optical Technologies Co., Ltd.  
 Rm. A505 Yingdali Science Park, Hongmian Rd.,  
 Futian Free Trade Zone, Shenzhen 518038,  
 P.R. China  
 Phone: +86 755 88 32 11 70  
 Fax: +86 755 88 32 11 75  
[www.schneiderkreuznach.com](http://www.schneiderkreuznach.com)  
[info@schneider-asiapacific.com](mailto:info@schneider-asiapacific.com)

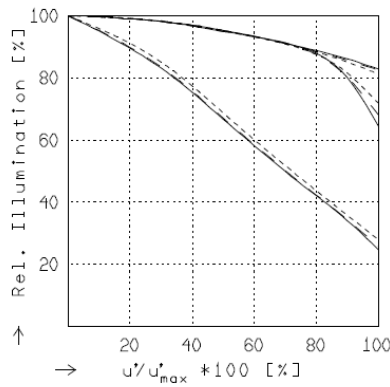
Schneider Optics Inc.  
 285 Oser Ave.  
 Hauppauge, NY 11788  
 USA  
 Phone +1 631 761-5000  
 Fax +1 631 761-5090  
[www.schneideroptics.com/industrial](http://www.schneideroptics.com/industrial)  
[industrial@schneideroptics.com](mailto:industrial@schneideroptics.com)

# Cinegon 1.9/10



## CINEGON 1.9/10MM

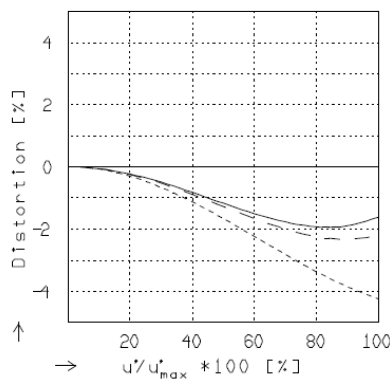
$f^*$	= 10.4 mm	$\beta_p^*$	= 2.823
$s_F$	= 13.9 mm	$s_{EP}$	= 17.5 mm
$s_{F^*}$	= 16.1 mm	$s_{AP}^*$	= -13.1 mm
$HH'$	= 28.7 mm	$\Sigma d$	= 47.2 mm



## RELATIVE ILLUMINATION

The relative illumination is shown for the given focal distances or magnifications.

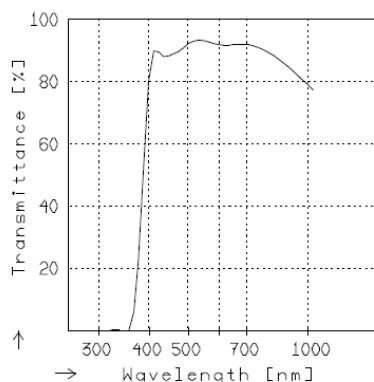
$f / 1.9$	$f / 4.0$	$f / 8.0$
— $\beta^* = 0.0000$	$u'_{max} = 8.0$	$00' = \infty$
- - $\beta^* = -0.0200$	$u'_{max} = 8.0$	$00' = 567.$
- · - $\beta^* = -0.1000$	$u'_{max} = 8.0$	$00' = 154.$



## DISTORTION

Distortion is shown for the given focal distances or magnifications. Positive values indicate pincushion distortion and negative values barrel distortion.

— $\beta^* = 0.0000$	$u'_{max} = 7.8$	$00' = \infty$
- - $\beta^* = -0.0200$	$u'_{max} = 7.8$	$00' = 567.$
- · - $\beta^* = -0.1000$	$u'_{max} = 8.0$	$00' = 154.$



## TRANSMITTANCE

Relative spectral transmittance is shown with reference to wavelength.

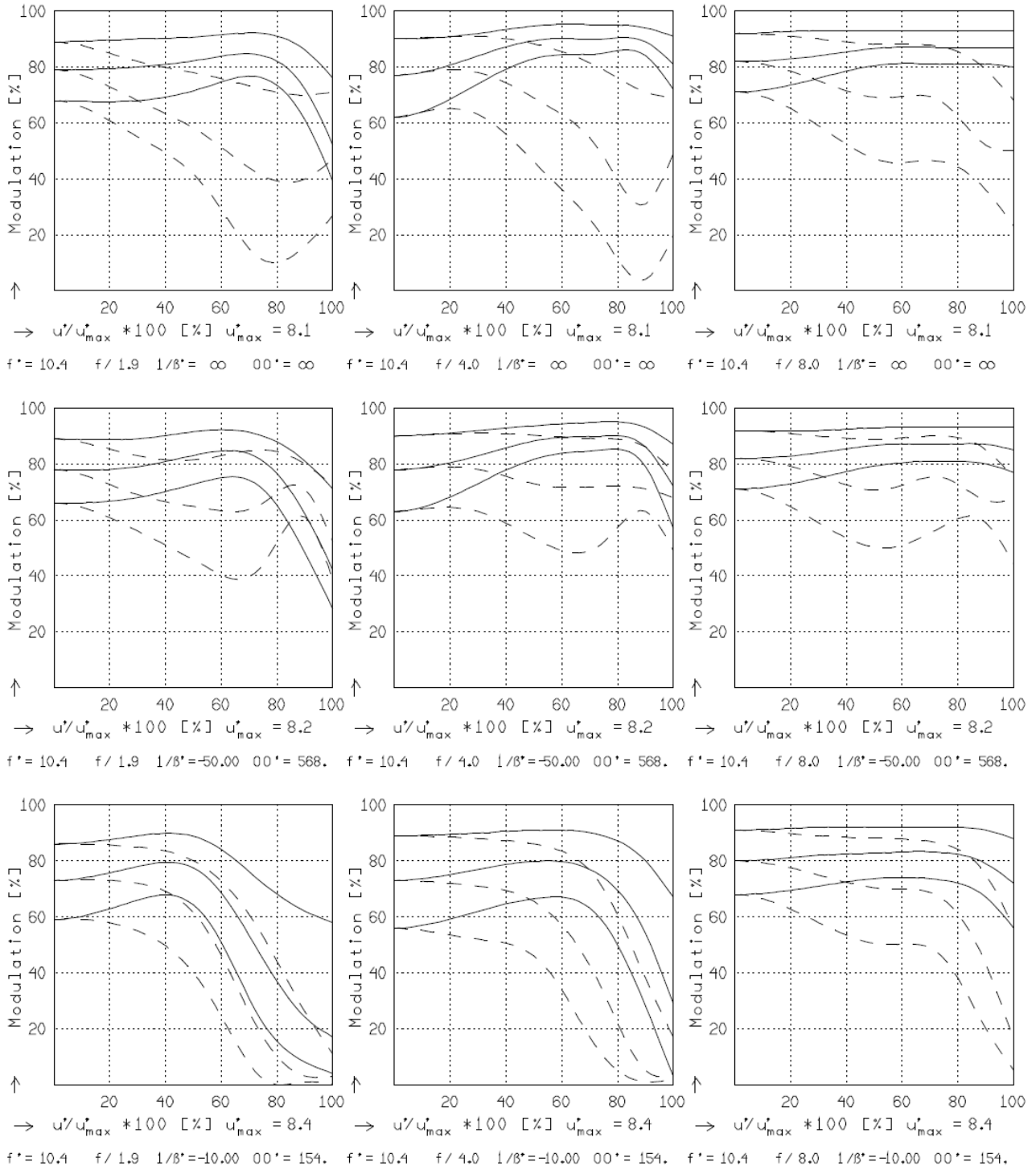
# Cinegon 1.9/10

## CINEGON 1.9/10MM

MODULATION with reference to the relative image height

Wavelength $\lambda$	[nm]	555	655	605	505	455	405
Spectral weighting	[%]	19.6	23.7	22.2	15.7	12.1	6.7
Spatial frequency R	[1/mm]	10	20	30			
Format	[mm X mm]	9.6	X 12.8				
Diagonal $2u'$	[mm]	16.0					

radial —  
tangential - -



Focusing :  $MTF_{max}$  at  $f / 1.4$  ,  $R = 30$  1/mm,  $u'/u'_{max} = 0$